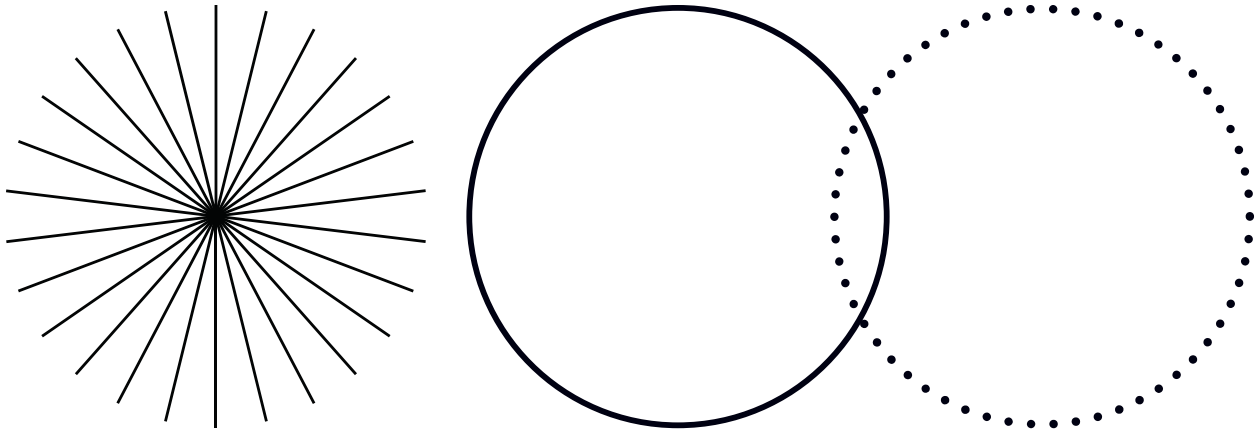


# Diamond C-70 Air-Cooled OEM Lasers

Preinstallation Manual





**Preinstallation Manual  
Diamond C-70 Air-Cooled  
OEM Lasers**



This document is copyrighted with All Rights Reserved. Under copyright laws, this document must not be copied in full or in part, or reproduced by any other media, without the express written permission of Coherent, Inc. (Coherent). Permitted copies must have the same proprietary and copyright notices as were attached to the original. This exception does not permit copies—whether or not sold—to be made for others; however, all the material purchased can be sold, given, or loaned to another person. Under the law, “copying” includes translation into another language.

Coherent and its logo are the registered trademarks of Coherent Corp. All rights reserved. The Coherent name and logo may not be used or reproduced without prior written permission of Coherent Corp. The C-70 is a trademark of Coherent Corp. All other trademarks or registered trademarks are the property of their respective owners.

Patents referenced in this manual are active when the manual is printed (see last page for the date). You are advised to check if the patents are still active [www.coherent.com/legal/patents](http://www.coherent.com/legal/patents).

Every effort was made to make sure that the data shown in this document is accurate. The information, figures, tables, specifications, part numbers, and schematics contained in this manual are subject to change without notice. Coherent makes no warranty or representation, either expressed or implied, related to this document. In no event will Coherent be liable for any direct, indirect, special, incidental, or consequential damages caused by any defects in its documentation.

### **Technical Support**

#### **In the U.S.:**

Should you experience any difficulties with your laser or need any technical information, please go to our web site [www.Coherent.com](http://www.Coherent.com). Should you need further assistance, please contact Coherent Technical Support by e-mail [customer.support@coherent.com](mailto:customer.support@coherent.com) or telephone, +1-734-456-3100. Please be prepared to supply the model and laser head serial number of your laser system, the description of the problem, and any attempted corrective steps to the Product Support Engineer responding to your request.

Telephone coverage is available Monday through Friday (except U.S. holidays and company shutdowns). Inquiries received outside of normal office hours will be captured by our automatic answering system and will be quickly returned the next business day.

#### **Outside the U.S.:**

If you are located outside the U.S., please visit [www.Coherent.com](http://www.Coherent.com) for technical assistance, or contact your local Service Representative. Service Representative telephone numbers and addresses can be found on the Coherent web site.

Coherent provides telephone and web-based technical assistance as a service to its customers and assumes no liability for any injury or damage that can occur at the same time with such services. Under no conditions do these support services affect the terms of any warranty agreement between Coherent and the buyer. Operation of any Coherent laser with any of its interlocks defeated is always at the operator's own risk.

#### **Corporate Addresses:**

| <b>Coherent Corp</b>                            | <b>Coherent Europe B.V. as EU Representative</b>                  |
|---|---|
| 5100 Patrick Henry Dr.<br>Santa Clara, CA 95054 | Huis Ter Heideweg 14, Zeist,<br>3705 LZ, Utrecht, The Netherlands |

Product Made in Thailand

# Table of Contents

|  |           |
|--|-----------|
| <b>1 Introduction</b> .....  | <b>1</b>  |
| 1.1 Signal Words and Symbols in this Manual .....                      | 1         |
| 1.1.1 Signal Words .....   | 1         |
| 1.1.2 Symbols.....   | 2         |
| 1.2 Preface .....  | 3         |
| 1.3 Export Control Laws Compliance .....                               | 4         |
| 1.4 Notice Concerning Regulatory Status of Diamond Series Lasers ..... | 4         |
| 1.5 The Preinstallation Manual .....                                   | 4         |
| 1.5.1 Intended Audience.....   | 5         |
| 1.5.2 Numbering of Sections, Pages and Instructions .....              | 5         |
| 1.5.3 Cited Standards.....   | 5         |
| 1.6 Laser Terminology .....  | 6         |
| 1.7 Units of Measurement .....   | 6         |
| 1.8 Feedback Regarding Documentation .....                             | 7         |
| 1.8.1 Feedback Email Address.....                                      | 7         |
| <b>2 Safety and Environmental Compliance</b> .....                     | <b>9</b>  |
| 2.1 Optical Safety .....   | 9         |
| 2.1.1 Recommended Precautions and Guidelines .....                     | 10        |
| 2.1.1.1 Laser Safety Eyewear.....                                      | 11        |
| 2.1.1.2 Viewing Distance.....  | 11        |
| 2.1.2 Electrical Safety.....   | 12        |
| 2.1.2.1 Recommended Precautions and Guidelines.....                    | 14        |
| 2.2 Safety Features and Compliance with Government Requirements.....   | 15        |
| 2.2.1 Laser Classification .....                                       | 16        |
| 2.2.2 Protective Housing .....   | 16        |
| 2.2.3 Protective Covers (Safety Interlocks).....                       | 16        |
| 2.3 Compliance to Standards Relevant to CE and UKCA Mark .....         | 17        |
| 2.3.1 Electromagnetic Compatibility .....                              | 17        |
| 2.4 Environmental Compliance.....                                      | 18        |
| 2.5 Location of Safety Labels .....                                    | 19        |
| 2.6 Sources of Additional Information .....                            | 21        |
| <b>3 Description and Specifications</b> .....                          | <b>23</b> |
| 3.1 Introduction.....  | 23        |
| 3.2 Purpose of This Manual.....  | 23        |
| 3.3 Configuration .....  | 24        |
| 3.4 Hardware Overview .....  | 24        |
| 3.4.1 DC Input Power .....   | 24        |
| 3.5 Cooling Requirements.....  | 25        |
| 3.5.1 Comparison of Air-Cooling and Liquid-Cooling (Reference) .....   | 25        |
| 3.6 Laser Head .....   | 26        |
| 3.7 RF Power Module.....   | 26        |
| 3.8 Configuration and Facility Requirements.....                       | 26        |

|   |           |
|---|-----------|
| <b>4 Utility Requirements and System Installation .....</b> | <b>29</b> |
| 4.1 Introduction .....                                      | 29        |
| 4.2 Unpacking and Inspection .....                          | 29        |
| 4.2.1 Verifying Delivery .....                              | 29        |
| 4.2.2 Protective Shipping Tape .....                        | 30        |
| 4.2.2.1 Tape Removal .....                                  | 30        |
| 4.3 Safety Issues in Laser Installation .....               | 31        |
| 4.4 Mechanical Mounting .....                               | 32        |
| 4.4.1 Mounting Considerations for C-70 .....                | 34        |
| 4.4.2 Ambient Air Cleanliness .....                         | 34        |
| 4.5 Air Cooling .....                                       | 35        |
| 4.5.1 Air Flow .....  | 35        |
| 4.5.2 Signal Interface .....                                | 35        |
| 4.6 Electrical Power Connection .....                       | 36        |
| 4.6.1 DC Power Supply Requirements .....                    | 37        |
| 4.6.1.1 DC Power Supply Cabling Requirements .....          | 37        |
| 4.6.1.2 DC Power Supply Over-Voltage Tripping .....         | 38        |
| 4.7 Control Signal Connection .....                         | 38        |
| 4.8 Beam Propagation .....                                  | 40        |

## **List of Illustrations**

|   |    |
|---|----|
| 2-1. Nominal Ocular Hazard Distance (NOHD)<br>for indicated conditions calculated per ANSI Z136.1 ..... | 12 |
| 2-2. Location of Safety Labels .....  | 19 |
| 2-3. Labels .....   | 20 |
| 3-1. C-70 Air-Cooled Laser .....  | 23 |
| 4-1. Protective Shipping Tape .....   | 30 |
| 4-2. C-70 Air-Cooled Laser Head Dimensions .....  | 32 |
| 4-3. Electrical Connections to C-70 .....   | 36 |
| 4-4. Beam Diameter vs. Distance From Laser Head .....   | 40 |

## **List of Tables**

|   |    |
|---|----|
| 3-1. Comparison: The Benefits of Air-Cooling vs. Liquid-Cooling Methods ..... | 25 |
| 3-2. C-70 Configuration and Facility Requirements .....                       | 27 |
| 4-1. Signal Interface Description and Connector Pinout .....                  | 39 |

# 1 Introduction

## 1.1 Signal Words and Symbols in this Manual

This documentation may contain sections in which particular hazards are defined or special attention is drawn to particular conditions. These sections are indicated with signal words in accordance with ANSI Z-535.6 and safety symbols (pictorial hazard alerts) in accordance with ANSI Z-535.3 and ISO 7010.

### 1.1.1 Signal Words

Four signal words are used in this documentation: **DANGER**, **WARNING**, **CAUTION** and **NOTICE**.

The signal words **DANGER**, **WARNING** and **CAUTION** designate the degree or level of hazard when there is the risk of injury:

---

#### **DANGER!**

Indicates a hazardous situation that, if not avoided, will result in death or serious injury. This signal word is to be limited to the most extreme situations.

---

---

#### **WARNING!**

Indicates a hazardous situation that, if not avoided, could result in death or serious injury.

---

---

#### **CAUTION!**

Indicates a hazardous situation that, if not avoided, could result in minor or moderate injury.

---

The signal word "**NOTICE**" is used when there is the risk of property damage:

---

#### **NOTICE**

Indicates information considered important, but not hazard-related.

---

Messages relating to hazards that could result in both personal injury and property damage are considered safety messages and not property damage messages.

### 1.1.2

### Symbols

The signal words **DANGER**, **WARNING**, and **CAUTION** are always emphasized with a safety symbol that indicates a special hazard, regardless of the hazard level:



This symbol is intended to alert the operator to the presence of additional information.

---



This symbol is intended to alert the operator to the presence of important operating and maintenance instructions.

---



This symbol is intended to alert the operator to the danger of exposure to hazardous visible and invisible laser radiation.

---



This symbol is intended to alert the operator to the presence of dangerous voltages within the product enclosure that may be of sufficient magnitude to constitute a risk of electric shock.

---



This symbol is intended to alert the operator to the danger of Electro-Static Discharge (ESD) susceptibility.

---



---

This symbol is intended to alert the operator to the danger of crushing injury.

---



---

This symbol is intended to alert the operator to the danger of a lifting hazard.

---

## 1.2

## Preface

This is the preinstallation manual for the Diamond C-70 OEM/Industrial laser manufactured by Coherent. These lasers are OEM systems; they are designed as components which are to be inserted by the original equipment manufacturer (OEM) prior to delivery to the end user. Coherent requires that the user read "Safety and Environmental Compliance" (p. 9), before operating the laser.



---

### **NOTICE**

Read this manual carefully before operating the laser for the first time. Failure to follow the instructions and safety precautions in this manual can result in serious injury or death. Special attention must be given to the material in "Safety and Environmental Compliance" (p. 9), that describes the safety features built into the laser. Keep this manual with the product and in a safe location for future reference.

---



---

### **DANGER!**

Use of controls or adjustments or performance of procedures other than those specified herein may result in hazardous radiation exposure.

---

## **1.3 Export Control Laws Compliance**

It is the policy of Coherent to comply strictly with U.S. export control laws.

Export and re-export of lasers manufactured by Coherent are subject to U.S. Export Administration Regulations, which are administered by the Commerce Department. In addition, shipments of certain components are regulated by the State Department under the International Traffic in Arms Regulations.

The applicable restrictions vary depending on the specific product involved and its destination. In some cases, U.S. law requires that U.S. Government approval be obtained prior to resale, export or re-export of certain articles. When there is uncertainty about the obligations imposed by U.S. law, clarification must be obtained from Coherent or an appropriate U.S. Government agency.

Products manufactured in the European Union, Singapore, Malaysia, Thailand: These commodities, technologies, or softwares are subject to local export regulations and local laws. Diversion contrary to local law is prohibited. The use, sale, re-export, or re-transfer directly or indirectly in any prohibited activities are strictly forbidden.

## **1.4 Notice Concerning Regulatory Status of Diamond Series Lasers**

This laser component does not include all safety features that are required by the United States Food and Drug Administration (FDA), Center for Devices and Radiological Health (CDRH) in laser systems sold to end users. It is sold solely to qualified manufacturers who in their end product, supply interlocks, indicators, and other required safety features, in full compliance with 21 CFR 1040, Subchapter J and/or other applicable national and local regulations.

## **1.5 The Preinstallation Manual**

This preinstallation manual is designed to familiarize the user with the C-70 laser system and its designated use. It contains important information on how to install the laser system safely, properly, and most efficiently. Observing these instructions helps to avoid danger, reduce repair costs, and downtimes and increase the reliability and lifetime of the laser system.

This manual describes the physical hazards related to the laser system, the means of protection against these hazards, and the safety features incorporated in the design of the laser system.

### **1.5.1 Intended Audience**

The preinstallation manual is intended for all persons that are to work on or with the laser system.

### **1.5.2 Numbering of Sections, Pages and Instructions**

The sections are numbered continuously. The name of the section appears in the upper outside corner of every odd page. Each section ends with an even page number. Consequently, certain even pages at the ends of sections will be intentionally left blank.

The pages of this manual are numbered continuously by section. The page number appears in the bottom center of every page.

Each step within a procedure is sequentially numbered. Each procedure starts with the step number one.

### **1.5.3 Cited Standards**

Unless otherwise stated, all technical standards cited in this manual relate to the latest version of the standard that is applicable at the date of the publication of this manual.

This information is in compliance with the Performance Standards for Laser Products,' United States Code of Federal Regulations, 21 CFR 1040.10(d). In many cases, the international standards (ISO and IEC standards) have been adopted wholly or in part by national or regional standards authorities and are known locally under the designation assigned by this authority. For instance, the IEC 60825-1 has been adopted by the European Committee for Standardization as the standard EN 60825-1 and, in turn, by various national standards authorities as standards such as DIN EN 60825 (Germany) and BS EN 60825 (United Kingdom). The exact content, number and revision date of the national standard may, however, vary from that of the corresponding international standard. For further information, please contact the publisher of the respective national standard.

## **1.6 Laser Terminology**

ISO 11145 (“Optics and Optical Instruments - Lasers and Laser Related Equipment - Vocabulary and Symbols”) contains a list of laser terminology.

To prevent misunderstandings, the C-70 documentation strictly differentiates between “laser” and “laser system”. Thus “start laser system” means that the power is off and shall be turned on. To “start the laser” means to switch on the laser beam and start laser operation.

|              |   |
|--------------|---|
| Laser        | Consists of an amplifying medium capable of emitting coherent radiation by means of stimulated emission.  |
| Laser System | A laser, where the radiation is generated, together with essential additional facilities that are necessary to operate the laser (e.g. cooling, power, and gas supply). |

In addition to the terminology used by ISO 11145, IEC 60825-1 uses the term “laser product”. This term relates to any product or assembly of components which constitutes or is intended to incorporate a laser. In other words, the term “laser product” can be used in conjunction with any of the definitions contained in ISO 11145.

## **1.7 Units of Measurement**

In this manual, units of measurement are used according to the metric system (international system of units (SI)), e.g., meter, millimeter, square meter, cubic meter, liter, kilogram, bar, pascal; and imperial system, e.g., tons, pounds, and ounces; gallons and quarts; miles, yards, feet, and inches.

Temperatures are primarily indicated in degrees Celsius (°C) and Fahrenheit (°F).

The water hardness is indicated in parts per million (ppm; American Hardness).

## 1.8 Feedback Regarding Documentation

If there are any comments regarding the documentation provided, please contact the Coherent Documentation Department.

In any correspondence, please provide the following:

- the document part number, revision, and date of issue
- the section number, page number and, where applicable, the procedure step number
- a description of any errors
- a proposal for improvements

### 1.8.1 Feedback Email Address

Email [documentation.support@coherent.com](mailto:documentation.support@coherent.com)



## 2 Safety and Environmental Compliance

This laser safety section must be reviewed thoroughly prior to operating the C-70. Safety instructions presented throughout this manual must be followed carefully.



---

**WARNING!**

**Use of controls or adjustments or performance of procedures other than those specified herein may result in hazardous radiation exposure.**

---

### 2.1 Optical Safety

Laser light, because of its optical qualities, poses safety hazards not associated with light from conventional light sources. The safe use of lasers requires all operators, and everyone near the laser system, to be aware of the dangers involved. Users must be familiar with the instrument and the properties of coherent, intense beams of light.

The safety precautions listed below are to be read and observed by anyone working with or near the laser. At all times, ensure that all personnel who operate, maintain or service the laser are protected from accidental or unnecessary exposure to laser radiation exceeding the accessible emission limits defined in the laser safety standards.



---

**WARNING!**

**LASER RADIATION - AVOID EYE OR SKIN EXPOSURE TO DIRECT OR SCATTERED RADIATION CLASS 4 LASER PRODUCT!**

---

The greatest concern when using a laser is eye safety. In addition to the main beam, there are often many smaller beams present at various angles near the laser system. These beams are formed by specular reflections of the main beam at polished surfaces such as lenses or beamsplitters. While weaker than the main beam, such beams may still be sufficiently intense to cause eye damage.

Laser beams are powerful enough to burn skin, clothing, or combustible materials, even at some distance. They can ignite volatile substances such as alcohol, gasoline, ether, and other solvents, and can damage light-sensitive elements in video cameras, photomultipliers, and photodiodes. The user is advised to follow the control measures below.

## **2.1.1 Recommended Precautions and Guidelines**

1. Observe all safety precautions in the preinstallation manual.
2. Always wear appropriate eyewear for protection against the specific wavelengths and laser energy being generated. See “Laser Safety Eyewear” (p. 11) for additional information.
3. Avoid wearing watches, jewelry, or other objects that may reflect or scatter the laser beam.
4. Stay aware of the laser beam path, particularly when external optics are used to steer the beam.
5. Provide enclosures for beam paths whenever possible.
6. Use appropriate energy-absorbing targets for beam blocking.
7. Block the beam before applying tools such as Allen wrenches or ball drivers to external optics.
8. Limit access to the laser to trained and qualified users who are familiar with laser safety practices. When not in use, lasers should be shut down completely and made off-limits to unauthorized personnel.
9. Terminate the laser beam with a light-absorbing material. Laser light can remain collimated over long distances and therefore presents a potential hazard if not confined. It is good practice to operate the laser in an enclosed room.
10. Post laser warning signs in the area of the laser beam to alert those present.
11. Exercise extreme caution when using solvents in the area of the laser.
12. Never look directly into the laser light source or at scattered laser light from any reflective surface, even when wearing laser safety eyewear. Never sight down the beam.
13. Set up the laser so that the beam height is either well below or well above eye level.
14. Avoid direct exposure to the laser light. Laser beams can easily cause flesh burns or ignite clothing.
15. Advise all those working with or near the laser of these precautions.



---

### **CAUTION!**

**Laser safety eyewear protects the user from accidental exposure to laser radiation by blocking light at the laser wavelengths. However, laser safety eyewear may also prevent the operator from seeing the beam or the beam spot. Exercise extreme caution even while wearing safety glasses.**

---

### 2.1.1.1 Laser Safety Eyewear

Always wear appropriate laser safety eyewear for protection against the specific wavelengths and laser energy being generated. The appropriate eye protection can be calculated as defined in the “EN 207 Personal eye protection equipment - Filters and eye-protectors against laser radiation (laser eye-protectors)”, in other national or international standards (e.g. ANSI, ACGIH, or OSHA) or as defined in national safety requirements.



---

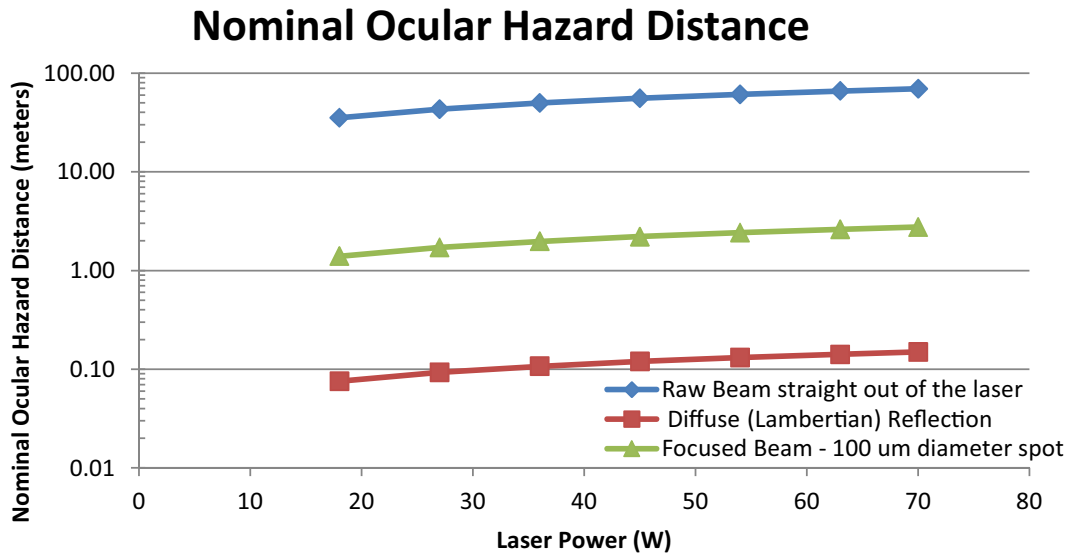
**CAUTION!**

**Laser safety eyewear protects the user from accidental exposure to laser radiation by blocking light at the laser wavelengths. However, laser safety eyewear may also prevent the operator from seeing the beam or the beam spot. Exercise extreme caution even while wearing safety glasses.**

---

### 2.1.1.2 Viewing Distance

The C-70 produces optical power levels that are dangerous to the eyes and skin if exposed directly or indirectly. This product must be operated only with proper eye and skin protection at all times. Never view directly emitted or scattered radiation with unprotected eyes. When viewing the laser during operation, the operator must maintain the Nominal Ocular Hazard Distance (NOHD) between the laser or scatter radiation and the operator's eyes. Figure 2-1 (p. 12) summarizes the NOHD for the power range of the C-70 for direct viewing of the collimated beam along with two other common configurations. The NOHD in Figure 2-1 is based on the Maximum Permissible Exposure (MPE =  $0.1 \text{ W/cm}^2$ ) level for each power condition as specified in ANSI Z136.1 and IEC 60825-1.



**Figure 2-1. Nominal Ocular Hazard Distance (NOHD) for indicated conditions calculated per ANSI Z136.1**

## 2.1.2

### Electrical Safety

All C-70 laser systems, which consist of the laser head and the RF power module, require high current at + 48 VDC to operate. This voltage is sourced from commercially available power supplies from various manufacturers. The typical input voltage to these power supplies is 208 or 480 VAC. These voltages can be lethal. Every portion of the electrical system should be treated as if it is at a dangerous voltage level.

High RF power levels are present in the RF power module compartment and laser resonator compartment when the power is on. There is no RF radiation exposure hazard to personnel so long as all protective covers are not removed.




---

**DANGER!**

To avoid potentially fatal electrical shock hazards from electrical equipment, follow all applicable electrical codes such as (in the U.S.) the National Electrical Code.

---

DO NOT disassemble the enclosure. There are no user serviceable components in the controller or laser head. All units are designed to be operated as assembled. **The Warranty will be voided if the laser head, the controller, or the cable is disassembled.**



---

**CAUTION!**

Electrostatic charges as high as 4000 volts easily collect on the human body and equipment and can discharge without detection.

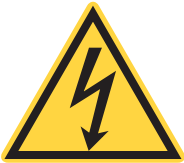
Although the electronics features have input protection, permanent damage can occur on devices subjected to high-energy electrostatic discharges. You must take correct ESD precautions to prevent damage or performance degradation.

---

The most common ESD damage occurs when handling a device during installation or use. Take the necessary measures to protect the system from ESD.

Dry air and carpet also create a higher potential for ESD. Remember to take precautions or shielding not only for operations, but for demonstrations or trade show exhibitions.

When mobile equipment (a cart or table) is used as an ESD-protected workstation, connect it to ESD ground that meets ANSI/ESD S4.2 required limits for an ESD-protected workstation ( $<1 \times 10^9$  ohms).



---

**WARNING!**

The power cord supplied with this product is for the exclusive use of this product and may not be used with any other equipment.

---



---

Laser diode static sensitive parts or assemblies may only be bagged in metalized shielding (shiny gray) bags.

**NEVER** use pink anti-static bags, because they are a potential source of contamination that may impact laser lifetime!

---



---

**DANGER!**

Normal operation of the C-70 should not require access to the power supply circuitry. Removing the power supply cover will expose the user to potentially lethal electrical hazards. Contact an authorized service representative before attempting to correct any problem with the power supply.

---

### **2.1.2.1**

### **Recommended Precautions and Guidelines**

The following precautions must be observed by everyone when working with potentially hazardous electrical circuitry:



---

**DANGER!**

**When working with electrical power systems, the rules for electrical safety must be strictly followed. Failure to do so could result in the exposure to lethal levels of electricity.**

---

1. Disconnect main power lines before working on any electrical equipment when it is not necessary for the equipment to be operating.
2. Do not short or ground the power supply output. Protection against possible hazards requires proper connection of the ground terminal on the power cable, and an adequate external ground. Check these connections at the time of installation, and periodically thereafter.
3. Never work on electrical equipment unless there is another person nearby who is familiar with the operation and hazards of the equipment, and who is competent to administer first aid.
4. When possible, keep one hand away from the equipment to reduce the danger of current flowing through the body if a live circuit is touched accidentally.
5. Always use approved, insulated tools.
6. Special measurement techniques are required for this system. A technician who has a complete understanding of the system operation and associated electronics must select ground references.

## 2.2 **Safety Features and Compliance with Government Requirements**

The following features are incorporated into the instrument to conform to several government requirements:

### **United States of America:**

The applicable United States Government requirements are contained in 21 CFR, Subchapter J, Part 1040 administered by the Center for Devices and Radiological Health (CDRH).

Integrators who incorporate a C-70 laser into other products that they introduce into United States commerce are defined in the law as manufacturers, who are thus required to manufacture their products to conform to the Federal standard, certify them, and submit product reports to the CDRH.

For jurisdictions outside of the United States, it is the responsibility of the buyer of this laser device to ensure that it meets the local laser safety requirements.

### **Europe:**

The European Community requirements for product safety are specified in the Low Voltage Directive (LVD) (published in 2014/35/EU). The Low Voltage Directive requires that lasers comply with the standard EN 61010-1/IEC 61010-1 "Safety Requirements For Electrical Equipment For Measurement, Control and Laboratory Use" and EN 60825-1/IEC 60825-1 "Safety of Laser Products". Compliance of this laser with the European requirements is certified by the CE mark.

### **United Kingdom (England, Wales, and Scotland):**

The United Kingdom requirements for product safety are specified in the Electrical Equipment (Safety) Regulations 2016 (published in SI 2016/1101). The Electrical Equipment (Safety) regulations requires that lasers comply with the standard EN 61010-1/IEC 61010-1 "Safety Requirements for Electrical Equipment for Measurement, Control, and Laboratory Use" and EN 60825-1/IEC 60825-1 "Safety of Laser Products". Compliance of this laser with the United Kingdom requirements is certified by the UKCA mark.

### **電気用品安全法適合要件 Japan Electrical Appliances and Materials Safety Act Compliance Statement:**

本製品に付属する電源コードセット(電源ケーブル)は、本製品専用のものであり、本製品以外の機器で使用することを禁止します。

The power cords supplied with this product are for the exclusive use of this product and may not be used with any other equipment.

### 2.2.1 Laser Classification

Governmental standards and requirements specify that the laser must be classified according to the output power or energy and the laser wavelength. The C-70 is classified as Class 4 based on 21 CFR, Subchapter J, Part 1040, section 1040.10 (c) and/or IEC/EN 60825-1;2007, Clause 8 and IEC/EN 60825-1:2014, Clause 4. In this manual, the classification will be referred to as Class 4.

### 2.2.2 Protective Housing

The laser head is enclosed in a protective housing that prevents human access to radiation in excess of the limits of Class radiation as specified in the 21CFR, Part 1040 Section 1040.10 (f)(1) and EN 60825-1/IEC 60825-1 Clause 6.2 except for the output beam, which is Class 4.

### 2.2.3 Protective Covers (Safety Interlocks)

The laser's protective covers are not interlocked and should only be removed by trained service technicians.



---

**WARNING!**

Use of controls or adjustments, or performance of procedures other than those specified herein, may result in hazardous radiation exposure.

---



---

**DANGER!**

To avoid potentially fatal electrical shock hazards from electrical equipment, follow all applicable electrical codes such as (in the U.S.) the National Electrical Code.

---

## **2.3 Compliance to Standards Relevant to CE and UKCA Mark**

The C-70 of lasers are OEM products, and are sold as components for integration into complete laser systems by a system integrator. These products are tested and marked as independent products in the European Community (CE) and the United Kingdom (UKCA). For specific details regarding what applicable compliance directives and standards the products have been tested to, refer to the EU Declaration of Conformity and/or the UKCA Declaration of Conformity which are available upon request from Coherent, per contact information on p. ii of this manual.

Compliance to applicable standards for a particular laser tool incorporating C-70 lasers must be demonstrated by the manufacturer of the complete system. The primary issue for the system integrator is to design covers, shielding, grounding, routing of electrical cable assemblies, and control elements with the proper safety features so that during subsequent testing the system meets the appropriate standards.

### **2.3.1 Electromagnetic Compatibility**

Compliance of this laser with the Electromagnetic Compatibility (EMC) requirements is certified by the CE mark and the UKCA mark. For more information about the CE/UKCA marks see “Compliance to Standards Relevant to CE and UKCA Mark” (p. 17).

Each application and installation is unique, and in some cases, the user may experience Electromagnetic Interference (EMI) noise being emitted from various electronic components. This laser uses high-frequency RF (100 MHz). While adequate countermeasures have been taken to suppress this emission to meet the requirements stated on the Declaration of Conformity, the user may wish to employ additional measures to suppress the EMI to reduce the emissions further. Standard methods of reducing the EMI are:

1. Use of shielded control cables grounded on both ends
2. Addition of appropriate ferrite beads to cables connected to the beam source.

## **2.4 Environmental Compliance**

Coherent is committed to delivering products that meet or exceed global regulatory requirements for safety, environmental responsibility, and ethical sourcing. Our comprehensive compliance program supports international frameworks including:

- RoHS, REACH, WEEE, and other regional substance and waste directives
- Battery, packaging, and energy efficiency regulations
- Conflict minerals, PFAS, and supply chain transparency initiatives
- Export control, trade compliance, and product stewardship obligations

To support transparency and facilitate access to product-specific documentation, Coherent provides a centralized online portal where customers and partners can:

- Search for declarations and certificates by part number or product family
- Download regulatory statements, safety datasheets, and environmental disclosures
- Contact our compliance team for product-specific questions or documentation requests

Compliance Portal: [www.coherent.com/company/environmental](http://www.coherent.com/company/environmental)

Compliance Contact: [productstewardship@coherent.com](mailto:productstewardship@coherent.com)

Coherent continuously monitors global regulatory developments and updates its documentation accordingly. For region-specific requirements or additional support, please contact us through the portal or the email listed above.

## 2.5 Location of Safety Labels

Refer to Figure 2-2, “Location of Safety Labels,” (p. 19) and Figure 2-3, “Labels,” (p. 20) for a description and location of all required safety labels. These include warning labels indicating removable or displaceable protective housings, apertures through which laser radiation is emitted, and labels of certification and identification [21 CFR § 1040.10(g), 21 CFR § 1010.2, and 21 CFR § 1010.3/ EN 60825-1/IEC 60825-1, Clause 7].

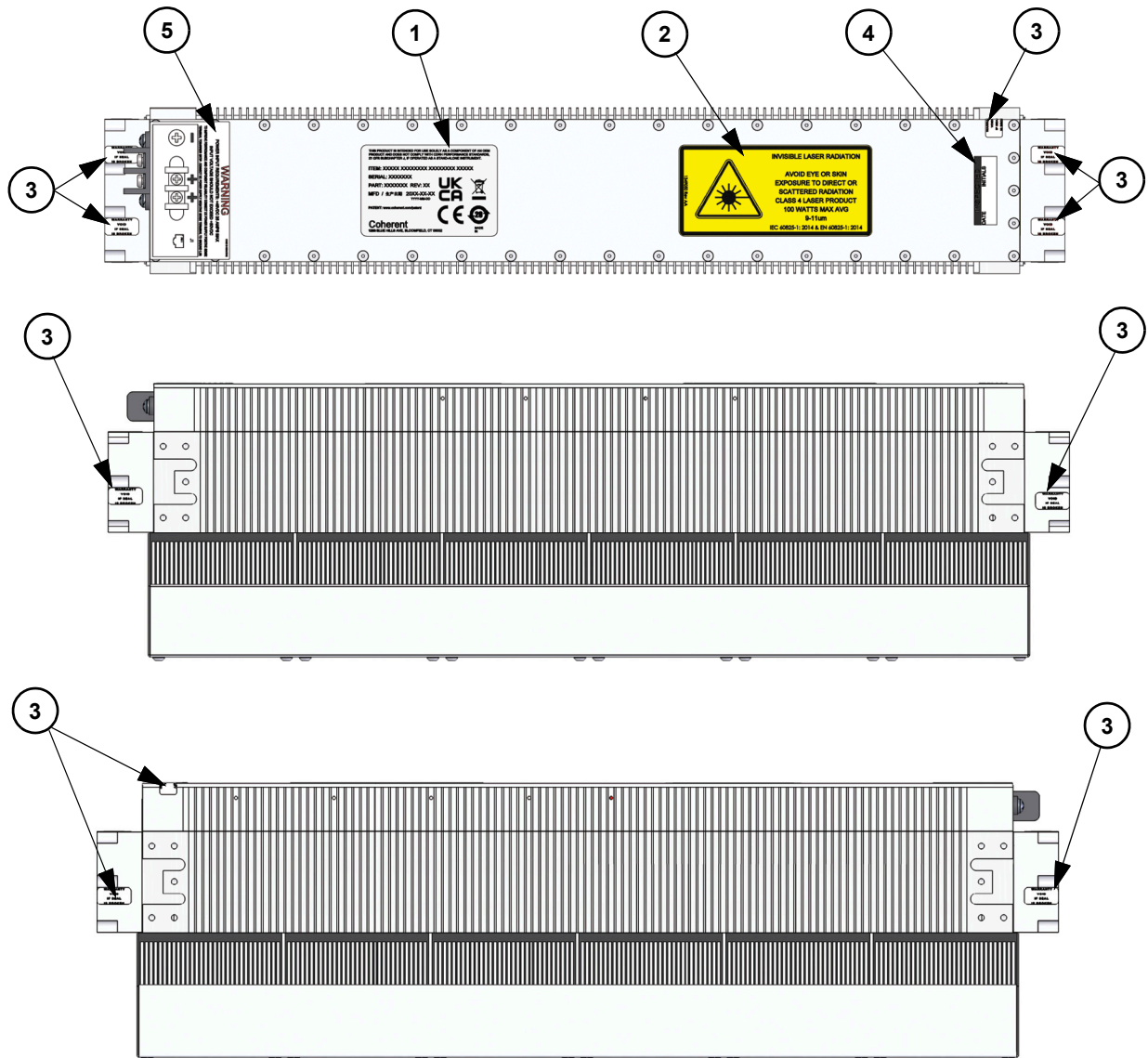


Figure 2-2. Location of Safety Labels (Sheet 1 of 2)

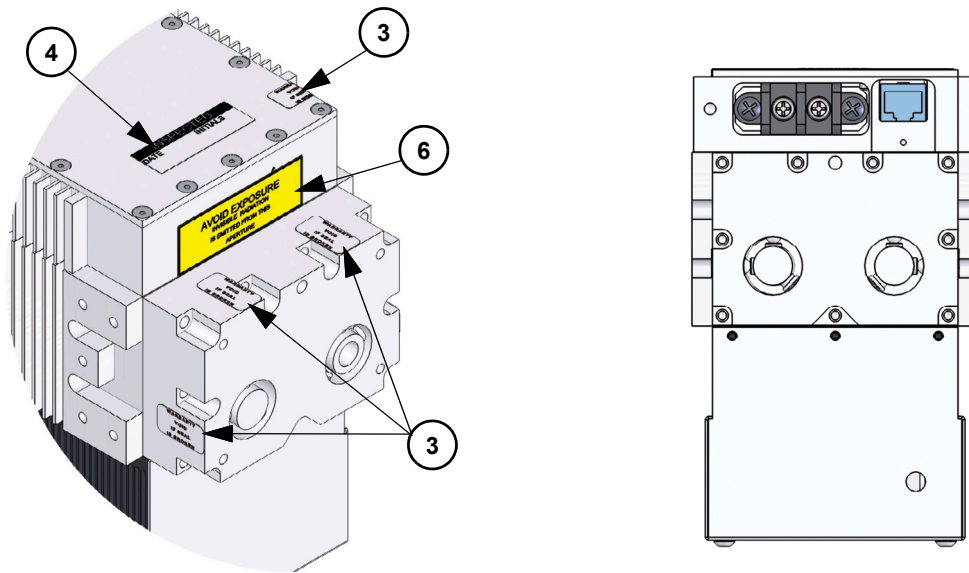
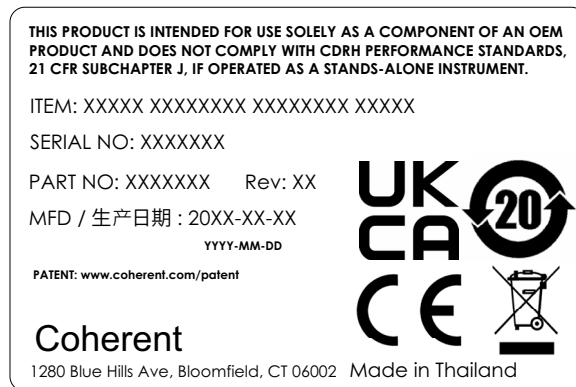
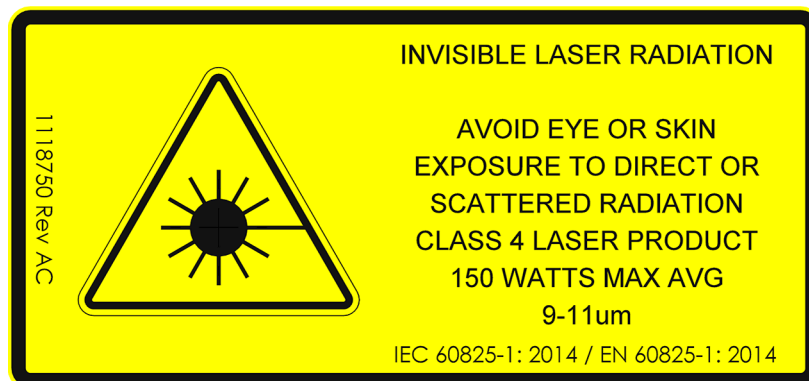


Figure 2-2. Location of Safety Labels (Sheet 2 of 2)



1. Identification Label



2. Danger of Laser Radiation Label

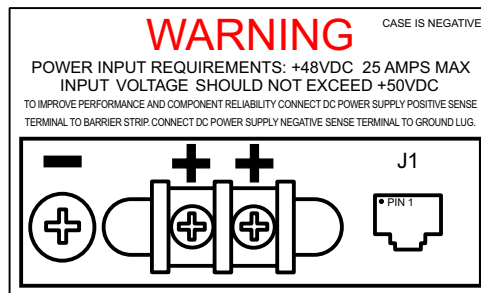
Figure 2-3. Labels (Sheet 1 of 2)



3. Tamper Proof Label



4. QC Approval Label



5. Voltage Warning Label



6. Warning Aperture Label

Figure 2-3. Labels (Sheet 2 of 2)

## 2.6

## Sources of Additional Information

Refer to [www.coherent.com/support/laser-safety-standards](http://www.coherent.com/support/laser-safety-standards) for additional sources of information.



# 3 Description and Specifications

## 3.1 Introduction

This section details specifications and characteristics (including mechanical, thermal, electrical, and optical interfaces; environmental requirements, and limitations) of the C-70 laser.

The C-70 laser is a sealed-off, RF-excited CO<sub>2</sub> laser, capable of continuous wave (CW) or modulated operation. From the laser safety point of view, this laser is considered to be a component and must be integrated into a system by a qualified original equipment manufacturer (OEM) prior to delivery to the end user. See the “Safety and Environmental Compliance” (p. 9) for a complete discussion of laser safety issues.

## 3.2 Purpose of This Manual

This manual is designed to assist the original equipment manufacturer (OEM) during the integration of the C-70 OEM laser. It contains information about the performance and operation of the laser as well as installation and control methods.



**Figure 3-1. C-70 Air-Cooled Laser**

## **3.3 Configuration**

Figure 3-1 illustrates the baseline configurations (i.e., without any optional hardware additions or deletions) of the C-70 laser. Each laser system consists of a laser head assembly and an integrated radio frequency (RF) power supply. The RF power module converts 48 VDC,  $\leq 25$  A (35 A peak for 1 ms) power to radio frequency power.

Connection of the customer-supplied DC power supply to the C-70 is via a barrier strip with screw terminals on the RF power module. These terminals should also be used for the connection of wires for remote voltage sensing. Such sensing is recommended to control the voltage at the input to the RF power module more precisely.

## **3.4 Hardware Overview**

The C-70 laser is a waveguide, carbon dioxide (CO<sub>2</sub>) laser. RF electric fields provided by the RF power module excite the CO<sub>2</sub> gas mixture. The standard configuration of this laser operates at a wavelength near 10.6  $\mu$ m in the infrared region of the electromagnetic spectrum.

### **3.4.1 DC Input Power**

DC input power is provided by the user through customer-supplied bus wiring, which goes to the RF power module. The RF power module converts this DC electrical power into RF power, which is used to excite the gas in the laser head. The DC power supply requirements are discussed in detail in the subsection entitled “DC Power Supply Requirements” (p. 37).

## 3.5 Cooling Requirements

Total heat dissipation for the laser is specified in Table 3-2. The laser head typically dissipates 700 W from its base surface while the RF power module typically dissipates 300 W, for a total typical heat dissipation of 1000 W (maximum total heat dissipation is 1200 W). The C-70 must be provided adequate cooling to keep the laser operating temperature within acceptable limits. The cooling method that is used must not induce stresses that will result in misalignment of the laser resonator. The C-70 heat sinks are designed so the assembled structure remains free of excessive stress. Installation requirements related to cooling the air-cooling version of the Diamond C-70 laser are discussed in detail in the subsection titled “Air Cooling” (p. 35).

### 3.5.1 Comparison of Air-Cooling and Liquid-Cooling (Reference)

Air-cooling and liquid-cooling each have distinct advantages. Table 3-1 describes the factors that should be taken into consideration when choosing a cooling system for a laser module.

One should also consider if condensable vapors are present and take suitable measures to purge sensitive areas, such as optical surfaces, with a suitable gas.

**Table 3-1. Comparison: The Benefits of Air-Cooling vs. Liquid-Cooling Methods**

| Air Cooling   | Liquid Cooling  |
|---|---|
| <ul style="list-style-type: none"> <li>• Low in cost</li> <li>• Low in complexity</li> <li>• Low service requirements</li> <li>• Easier to install</li> </ul> | <ul style="list-style-type: none"> <li>• Offers the highest process stability</li> <li>• Can yield the most compact arrangement</li> <li>• Suitable for applications in which the ambient air temperature exceeds 40°C</li> <li>• Better for applications in which the ambient air is laden with particulates; it will result in a maintenance requirement of cleaning of air-cooling system and in general lower heat transfer, more performance instability and shorter product life time if air-cooled laser is used</li> <li>• Easier to make a hermetically sealed system</li> </ul> |



#### **NOTICE**

**To avoid damage to the laser, never operate the laser without adequate air cooling.**

## **3.6 Laser Head**

The laser head takes RF input power and converts some of it to laser radiation. The rest of the RF input power is exhausted as waste heat. For the C-70 Air-Cooled laser, the waste heat is exhausted into the ambient air. The laser head consists of the folded optical waveguide resonator, the all-metal gas envelope structure, and RF power module. Infrared laser radiation is emitted from the optical aperture. Pictures and dimensions drawings for the C-70 Air-Cooled laser are shown in Figure 3-1 and Figure 4-2.

## **3.7 RF Power Module**

The C-70 RF power module converts DC input power to RF energy which is sent to the laser head. Heat from the RF power module flows into the integrated laser assembly and is exhausted into the surrounding air. An RJ-45-type connector is used to control the laser system. All of the user interfaces (DC power and signal interface) are on one panel of the RF power module.

## **3.8 Configuration and Facility Requirements**

Table 3-2 describes the configuration and facility requirements for C-70 Air-Cooled lasers. Laser performance specifications are provided in the C-70 Air-Cooled lasers datasheet available online at [www.coherent.com](http://www.coherent.com) and in the test report provided with each laser.

**Table 3-2. C-70 Configuration and Facility Requirements**

| Parameter  | Value   |
|--|---|
| Weight   | 10.2 kg (22.5 lbs.)   |
| Dimensions (L x W x H)   | 604.9 x 92.5 x 154.5 mm<br>(23.8 x 3.64 x 6.08 in.)   |
| Input Power <sup>1</sup>   | 48 VDC < ± 2% regulation,<br>< ± 1% P-P Noise/Ripple<br>25 A Max avg, with 35 A peak<br>for 1 msec minimum, measured at input terminals |
| Heat Dissipation (W)   | < 1200 W  |
| Maximum Case Temperature   | < 60°C (140°F)  |
| Operating Environment  |   |
| Temperature  | 5°C to 40°C (41°F to 104°F)   |
| Altitude   | < 2,000 m (6,500 ft.)   |
| Humidity   | Non-Condensing  |
| Shipping/Storage Environment   | - 10°C to 60°C (14°F to 140°F), Non-condensing  |
| <sup>1</sup> Power measured @ 25°C & derated by 1%/°C for higher laser head temperatures |   |



# **4 Utility Requirements and System Installation**

## **4.1 Introduction**

This section covers unpacking and installation of the C-70 laser. Operating instructions are detailed in "Laser Operation" (p. 41).

## **4.2 Unpacking and Inspection**

Before unpacking the laser components, inspect the shipping carton for evidence of rough handling, and note any damage. If damage to the shipping carton is evident, request that the carrier's agent be present when the unit is unpacked. Inform the shipping carrier and Coherent of any evidence of damage in shipment. The Buyer and shipping carrier is responsible for any damage which might occur during shipment.

### **4.2.1 Verifying Delivery**

The shipping container contains the following:

- Laser head and integral RF power module
- Final test sheet

If any items are missing, report this to Coherent immediately.

## 4.2.2 Protective Shipping Tape

The front of the C-70 laser head is protected by a blue adhesive film or tape (Figure 4-1). This tape is designed to protect the optics during shipping and must be removed prior to operating the laser.



---

### **NOTICE**

To avoid damage, the blue protective tape must be removed **BEFORE** operating the laser.

---



**Figure 4-1. Protective Shipping Tape**

### 4.2.2.1 Tape Removal

To remove the protective tape:

1. Pinch one corner of the tape between the thumb and index fingers.
2. Gently pull the tape off of the laser.

Discard the tape and do not place the tape anywhere near or on the laser.

## 4.3 Safety Issues in Laser Installation

Installation of the C-70 laser must comply with all applicable electrical safety and laser safety laws and regulations. Review “Safety and Environmental Compliance” (p. 9) for important information relating to safety.

The negative (return) side of the DC input connection to the C-70 RF power module is connected internally to the chassis. The user must ensure that the system into which the C-70 is built protects against the possibility that the C-70 laser head or RF power module chassis could be at a hazardous voltage and that personnel could be exposed to these voltages.



---

**DANGER!**

**To avoid potentially fatal electrical shock hazards from electrical equipment, be sure to follow all applicable electrical codes such as (in the U.S.) the National Electrical Code.**

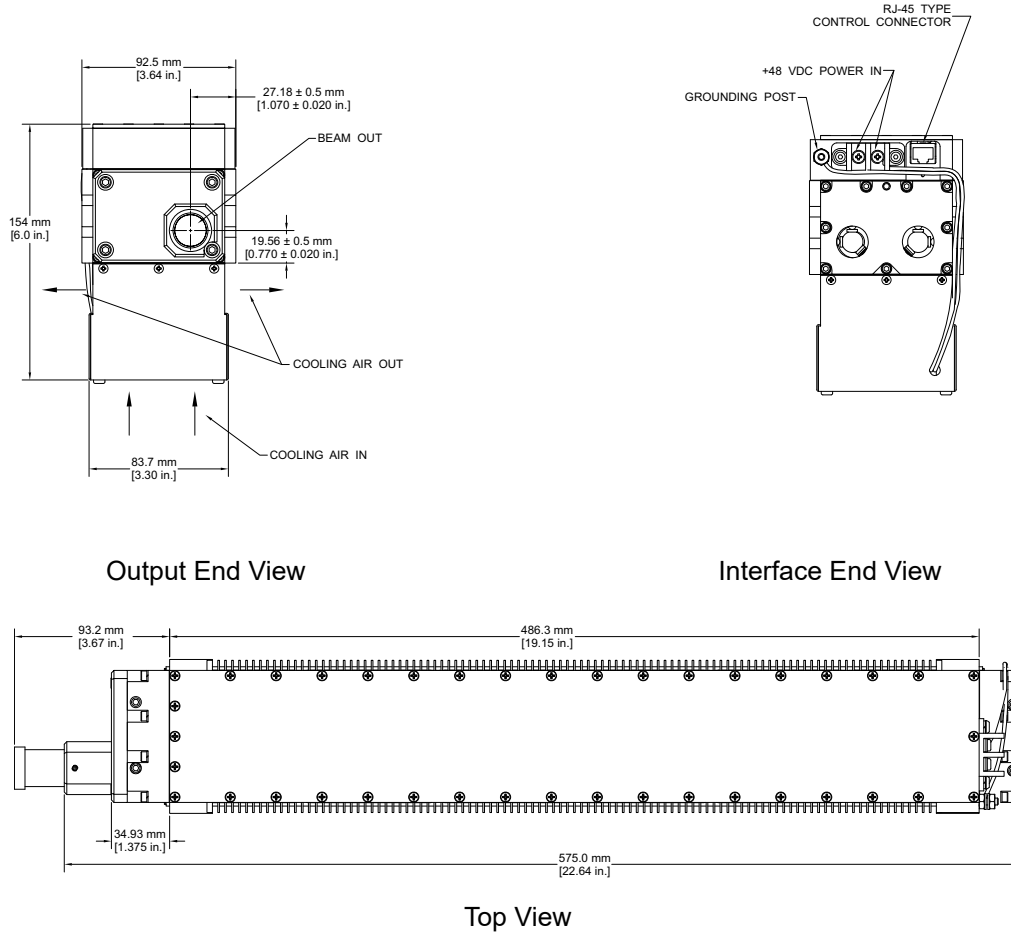
---

The laser must be secured properly to avoid the possibility of the laser shifting unexpectedly during operation, creating a hazardous condition. The location of the output beam of the C-70 laser head is shown in Figure 4-2 (p. 32). The laser output is emitted from the aperture shown in the referenced figures and propagates within a full cone angle up to 5°. The acceptance angle of the system aperture must intercept all of the output of the laser.

It is also extremely important to understand the direction, divergence, and magnitude of all reflections that will occur from optical surfaces. Infrared (IR) beams, such as those from C-70 lasers, can also be located with commercially available IR screens, such as those produced by Macken Instruments, Inc. [tel. (707) 566-2110]. Coherent recommends that all beam propagation paths be enclosed and that personnel operating the laser be qualified optical technicians who are familiar with this type of hardware.

## 4.4 Mechanical Mounting

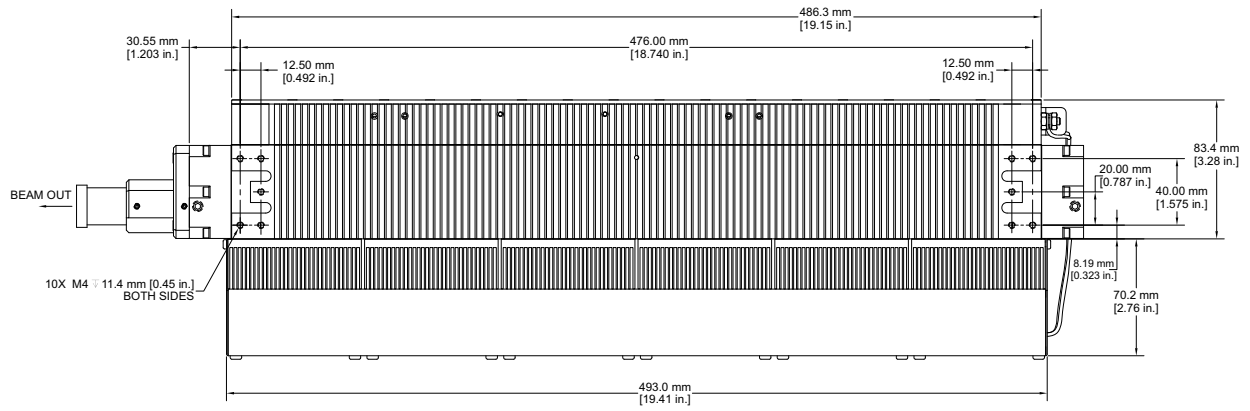
The dimensions for the C-70 laser head is shown in Figure 4-2. Mechanical mounting of the C-70 laser head must result in no distortion or stress the laser head is in any way. Otherwise, optical alignment and power stability could be adversely affected.



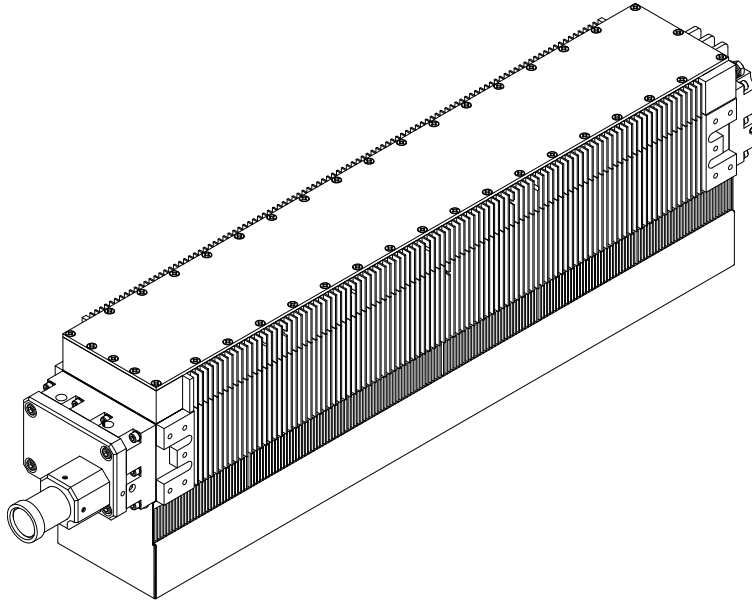
**NOTES:**

1. Allow proper clearance around heatsinks to insure sufficient cooling air flow.

**Figure 4-2. C-70 Air-Cooled Laser Head Dimensions**



Side View



Isometric View

NOTES:

1. Allow proper clearance around heatsinks to insure sufficient cooling air flow.

**Figure 4-2. C-70 Air-Cooled Laser Head Dimensions (Continued)**

#### 4.4.1 Mounting Considerations for C-70

Certain aspects of specific customer applications may preclude absolute interchangeability of laser heads. For example, for certain applications, the sensitivity of the application to optical beam pointing errors may require external optical realignment after the laser head is replaced in the customer's integrated system. Depending on the method of mounting and the sensitivity of the integrated customer system to beam pointing errors, even removing a laser head from the customer's system, then replacing the same laser head back into the customer's system may require external optical realignment. This external alignment would be a repositioning of the head itself or adjustment of beam delivery mirrors (positions and angle). Consult Coherent if there is any question about such interchangeability issues. Consult Coherent if there is any question about such interchangeability issues.

Coherent recommends using optional brackets (part number 1101-12-0016 for a set of 4) that are designed for mounting the laser safely without inducing any stress onto the laser. Care must be taken not to induce stress onto the laser head, as optical mis-alignment of the laser resonator can occur, which would require the laser to be returned to Coherent for service. A mechanical drawing for this bracket is provided in Parts List. Coherent strongly encourages use of this bracket or one of similar design in order to accommodate the temperature changes in operation while providing secure mounting.

#### 4.4.2 Ambient Air Cleanliness

The C-70 laser heads are designed for use in a dust-free or nearly dust-free environment. They should be installed in a protective housing that prevents dust or debris from contaminating the optical output window. Do not turn the laser on if there is water, dust, or dirt on the output element; otherwise, damage to the coating on this optical element may occur. To prevent such optical damage, never allow the output window to become contaminated.

Do not allow the fins on the heat sinking elements to become clogged with dirt, dust, or debris. They must be cleaned periodically, as indicated in Maintenance and Troubleshooting.



---

#### **NOTICE**

**In the case of the C-70 Air-Cooled laser, a dust- and particle- free environment must be maintained around the heat sinks. Dust or particles can clog the fans and heat sinks, and degrade their performance significantly. Coherent recommends that the OEM set up a regular preventive maintenance schedule to clean these cooling fins every 6 months or as needed in the OEM's operating environment.**

---

The Coherent warranty covers defects in material and workmanship relating to the output optical element, but this warranty does not cover damage to the external output optical surface that is the result of contamination to the surface, or abrasion of the surface.

## **4.5 Air Cooling**

The C-70 Air-Cooled laser incorporates heat sinks cooled by forced air (blown by fans). The six fans draw 1.6 A of current when supplied with the required 48 VDC electrical power. Running the fans at higher voltages will reduce the operating life and is strongly discouraged. The user must provide the correct voltage polarity to the fans in order for the airflow direction and resulting volume to be sufficient to cool the laser adequately.

### **4.5.1 Air Flow**

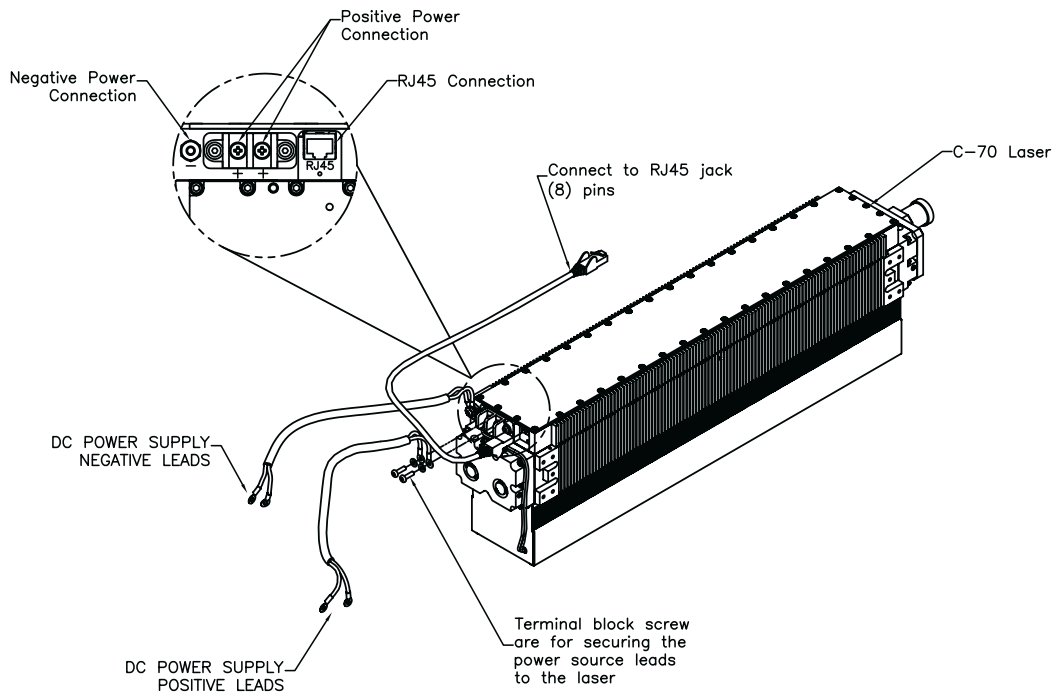
Open-air flow for the laser system is critical. Therefore, Coherent requires clear access to free air within 60 mm of the cooling fans and fins for the laser system. The air used to cool the C-70 must be clean and free of contaminants. This requirement can be fulfilled by filtering the air at the input to the laser cavity or system equipment.

### **4.5.2 Signal Interface**

Coherent uses a temperature interlock to ensure that the fans are operating and supplying sufficient air cooling. It is recommended that both Modulation and Control Enable be commanded to the OFF state when the airflow interlock system detects an over-temperature fault. The system also provides a temperature warning that should be used to alert the user to a need for maintenance of the cooling system to return the performance to the normal full cooling capacity. Failure to take action regarding the temperature warning will result in poorer product performance (outside specifications) and lesser product life time. These signals are listed in Table 4-1 (p. 39) and further discussed in subsections of “Laser Operation”.

## 4.6 Electrical Power Connection

The C-70 laser requires 48 VDC input DC power. This power is carried from the power source to the system through the terminal block on the C-70. The maximum current required is 25 A.



Note: Pin #1 of RJ45 control interface is on the left as viewed.

---

### NOTICE

To avoid damage to the system, connect leads to the user-supplied power source last after other connections are made.

---

**Figure 4-3. Electrical Connections to C-70**

The negative (return) side of the DC input connection to the C-70 RF power module is connected internally to the chassis. The user must assure that the system into which the C-70 is built protects against the possibility that the C-70 chassis could be at a hazardous voltage and that personnel could be exposed to these voltages.



---

### DANGER!

To avoid potentially fatal electrical shock hazards from electrical equipment, be sure to follow all applicable electrical codes, such as (in the U.S.) the National Electrical Code.

---

Coherent requires that the user review the precautions described in Safety and Environmental Compliance regarding electrical safety before using the C-70 laser. It is the user's responsibility to provide circuit breakers and/or fusing of the AC power source, in accordance with all applicable laws and regulations.

#### 4.6.1 DC Power Supply Requirements

Requirements for the customer-supplied DC power supplies include standards regarding DC power supply cabling and over-voltage tripping.

|                       |  |
|-----------------------|--|
| DC Voltage            | 48 VDC measured at the terminals.                                  |
| Peak Current          | <35 A for a minimum of 1 msec with a maximum voltage drop of 1.5 V |
| Regulation            | < ± 2%   |
| Regulation Sensing    | Remote at load   |
| Ripple and Noise      | < 1% p-p (20 MHz BW limit)   |
| Overload Protect      | Automatic Recovery   |
| Short-circuit Protect | Automatic Recovery   |

##### 4.6.1.1 DC Power Supply Cabling Requirements




---

**Coherent requires the use of remote voltage sense/regulation at the C-70. This requires a 4-wire cable (2 supply currents and 2 voltage senses).**

---

The following requirement minimizes the voltage loss from the supply to the C-70:

| Wire length (in Meters)   | AWG          |
|---|--------------|
| 0 to 2  | 2 x 17 or 14 |
| 2 to 3  | 2 x 15 or 12 |
| 3 to 5  | 2 x 13 or 10 |
| Note: Typically, doubling the wire at a give length will reduce the AWG by 3. |              |

#### 4.6.1.2 DC Power Supply Over-Voltage Tripping

In the event that the DC power supply trips because of the current, there are two countermeasures that can be applied:

- Remote sensing, in which four wires are used to sense the regulation of the DC power supply
- Increased capacitance at the laser connection; to do this, add a capacitor at the DC power supply connection of the laser, using a capacitor of 470  $\mu$ F or greater, rated at > 60 VDC

### 4.7 Control Signal Connection

Electrical control of the C-70 laser is achieved via a RJ-45 connector built into the system. The signals carried on each of the pins are indicated in Table 4-1. Details about controlling the laser through the signal interface are discussed in “Laser Operation” (p. 41).



---

#### **NOTICE**

Coherent requires use of shielded interface cables. The interface cable shield must connect to the chassis ground of the controller. In addition to proper shielding, this shield provides a secondary connection for the signal ground (Pin 8).

A floating ground connection (use of un-shielded interface cable or no return path between the host control electronics and the laser) can present an unsafe condition and result in unstable or unexpected operation of the laser. This condition can arise when the control signal ground connection (Pin 8) is lost and the Control Enable (Pin 7) and Modulation (Pin 1) remain high. Therefore, Coherent requires that a second safety ground be provided either via a shielded control cable or common potential chassis mounting between the laser head and the control electronics. Inadequate or nonexistent grounding between the laser and the external control system can result in loss of control of the laser and damage to the laser electronics or the external control electronics.

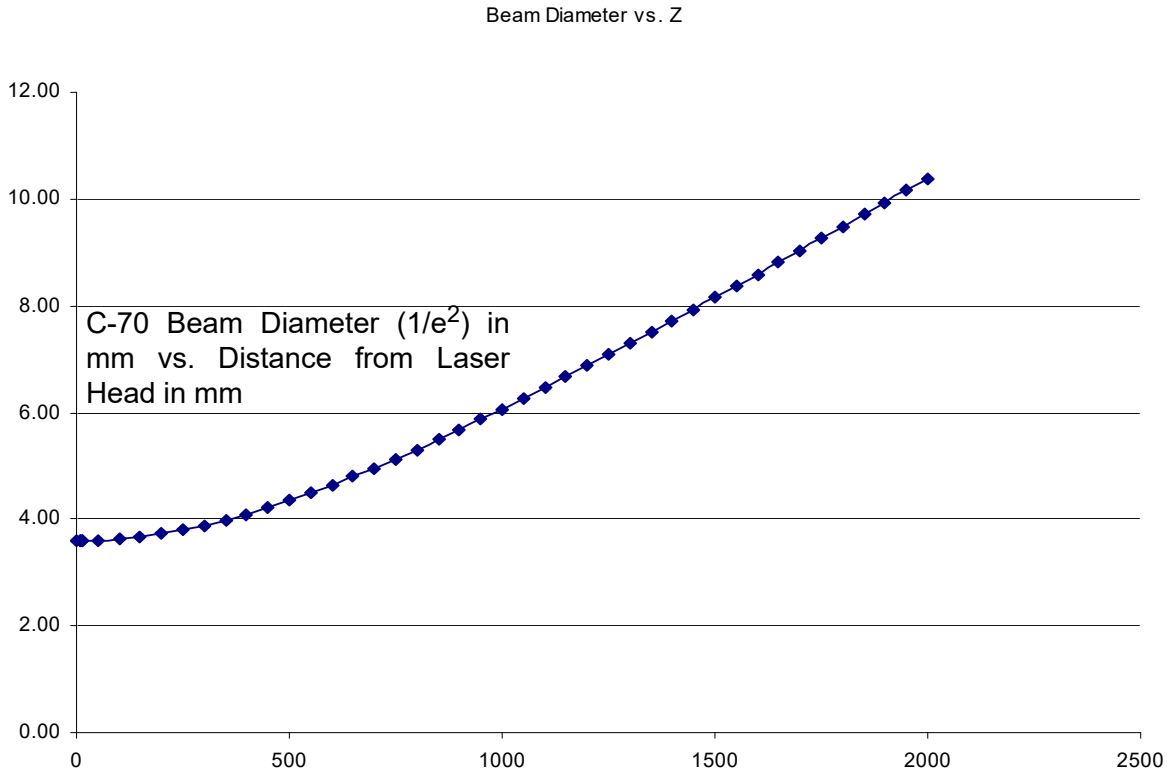
---

**Table 4-1. Signal Interface Description and Connector Pinout**

| Pin No.  | Signal Description   |
|--|--|
| 1  | Modulation<br>TTL logic input; 1=RF ON, 0=RF OFF; 1 k $\Omega$ impedance<br>This input turns on the laser. See also Pin 7, Control Enable, below   |
| 2  | + 15 VDC $\pm$ 0.5 VDC, 0.25 Amps maximum output for customer use  |
| 3  | LASER OK<br>TTL logic output; 1=LASER OK, 0=LASER Fault; $I_{OH} = -0.4$ mA, $I_{OL} = 8$ mA<br>Output is asserted when no faults (SWR, Temp. or Volt.) are detected<br>Indicates that the temperature of the laser head is < 80°C |
| 4  | Temperature OK<br>TTL logic output; 1=Temp OK, 0=Temp Fault; $I_{OH} = -0.4$ mA, $I_{OL} = 8$ mA<br>Output is asserted when the temperature of the laser head is < 60°C  |
| 5  | Voltage OK<br>TTL logic output; 1=Voltage OK, 0=Voltage Fault; $I_{OH} = -0.4$ mA, $I_{OL} = 8$ mA<br>Output is asserted when DC supply voltage ( $V_{DD}$ ) is between 43 VDC < $V_{DD}$ < 55 VDC                                 |
| 6  | Internal Coherent use. Must be grounded  |
| 7  | Control Enable<br>TTL logic input; 1=Laser Control Enabled, 0=Laser Control Disabled<br>This input must be asserted before Modulation can be used to turn on laser   |
| 8  | Customer Logic Ground for all interface signals  |
| 1) Connector used is RJ-45 type.<br>2) These specifications are subject to change. |  |

## 4.8 Beam Propagation

The C-70 delivers a  $3.6 \pm 0.5$  mm diameter beam with a  $< 5$  mRad divergence. The typical beam diameter as a function of distance from the laser is shown in Figure 4-4.



**Figure 4-4. Beam Diameter vs. Distance From Laser Head**





*Diamond C-70 Air-Cooled OEM Lasers Preinstallation Manual*  
© Coherent Corp, 2/2026 (RoHS), Printed in Thailand  
Part No. 1430077, Rev AF





**INNOVATIONS THAT RESONATE**



Diamond C-70 Air-Cooled OEM Lasers Preinstallation Manual  
© 2026 Coherent Corp. (RoHS) Printed in Thailand  
Part No. 1430077 Rev. AF